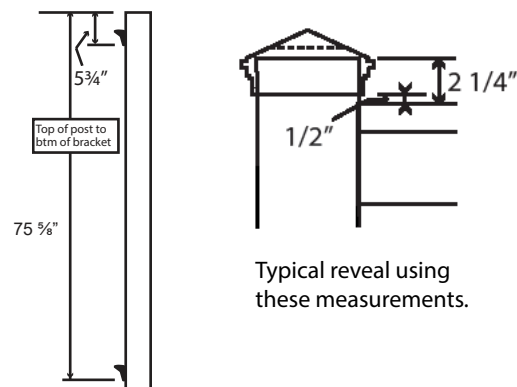
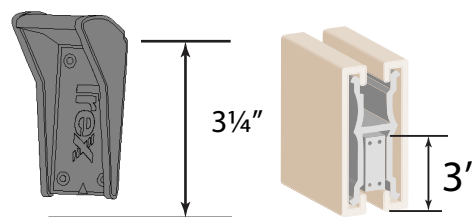


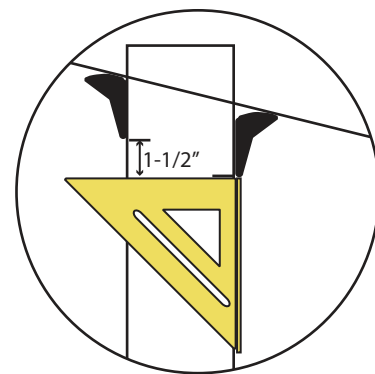
Level Fence: If posts are level, top and bottom bracket placement is straight forward. Simply measure down from the top of the post, $5\frac{3}{4}"$ for the top bracket and $75\frac{5}{8}"$ for the bottom bracket.



If mounting on a flat surface such as a concrete wall, you can measure up from ground or wall to insure your rail follows the surface with the same allowable gap on the entire line. Measure up $3\frac{1}{4}"$ to the top edge of the bracket to give you a $1/4"$ gap below the bottom rail.



Fence Following a Slope: While your string line is still up, determine bracket slope adjustment by holding a bracket on the uphill side of the post so that the bracket touches the string line. Make a small pencil mark at the bottom of the bracket. Now hold a bracket on the downhill side of the post, once again just touching the string line, and make a small pencil mark. Using a speed square, note the amount of vertical drop between the two marks. This measurement should be added to the measurements used for mounting the rail brackets on the downhill side.



Ex. If the drop measured above is $1\frac{1}{2}"$, then add $1\frac{1}{2}"$ to the measurements for the brackets on downhill side of the post. The upper bracket would be $5\frac{3}{4}"$ plus $1\frac{1}{2}" = 7\frac{1}{4}"$. The bottom bracket would be $75\frac{5}{8}"$ plus $1\frac{1}{2}" = 77\frac{1}{8}"$.

