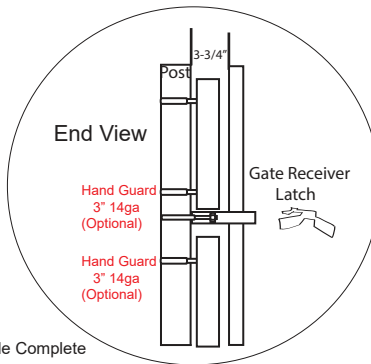
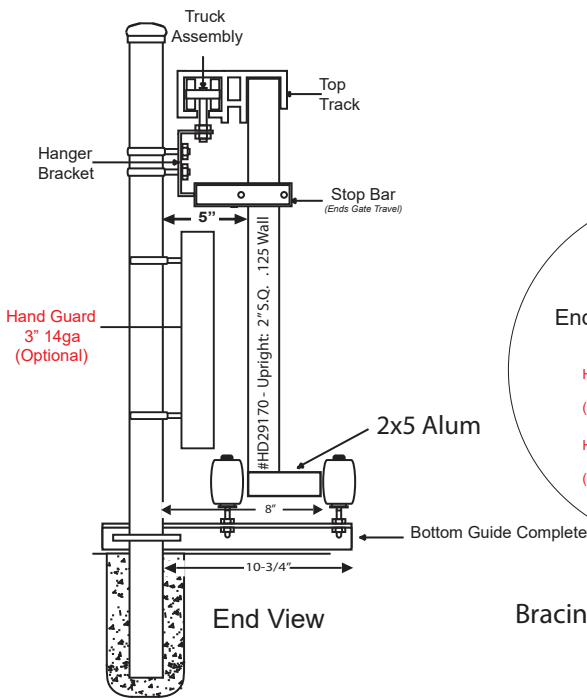
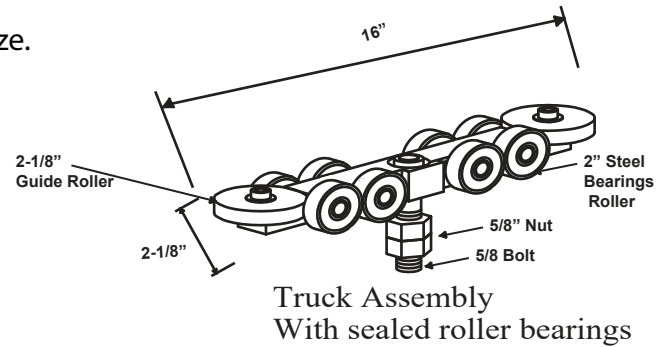


* Measurements vary with desired gate size.



Bracing will be added as Required
Distance +/-
△ - NTS



Default Specifications

- Uprights: 2" S.Q. .125 Wall
- Diagonals: 2" S.Q. .125 Wall
- Top Track: 6" x 3-1/4"
- All Material 6061-T6 Extruded