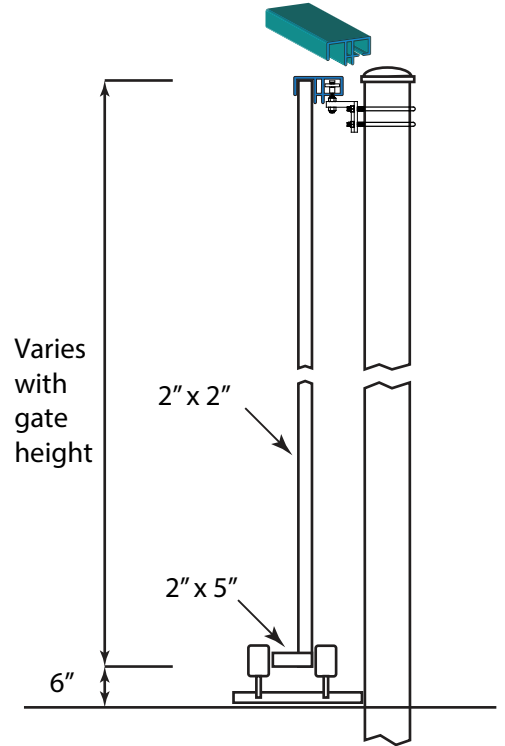


Overlapping slats sit on 2x5 aluminum.  
Pull tight and fasten to the aluminum 2x2's.



Add a picture frame trim using trex bottom rail covers for a finished look.

