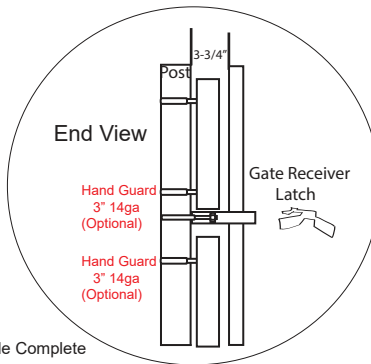
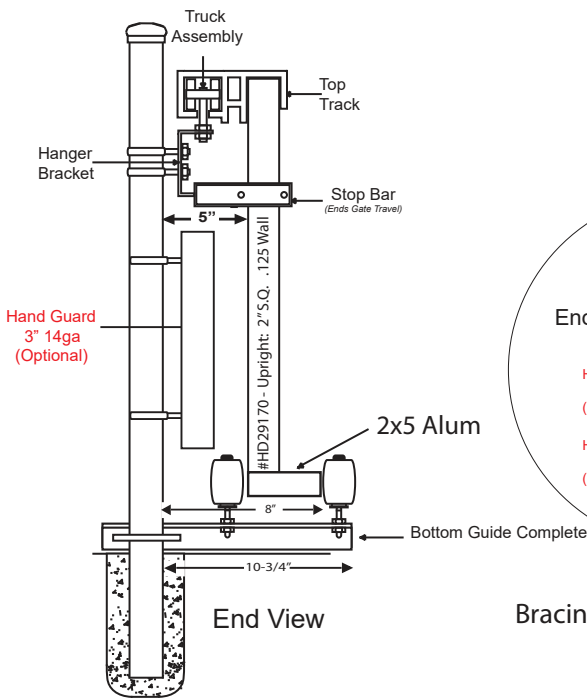
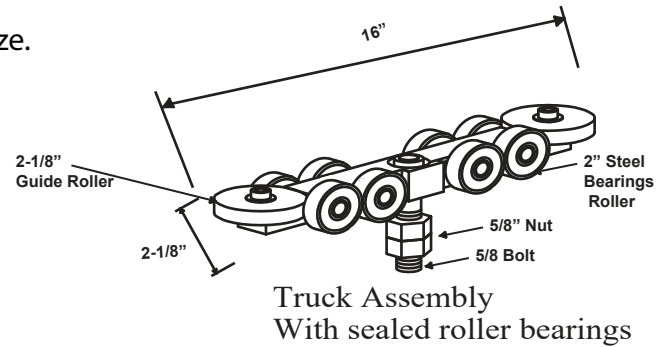


* Measurements vary with desired gate size.



Bracing will be added as Required
 Distance +/-
 Δ - NTS



Default Specifications

Uprights: 2" S.Q. .125 Wall
 Diagonals: 2" S.Q. .125 Wall
 Top Track: 6" x 3-1/4"
 All Material 6061-T6 Extruded