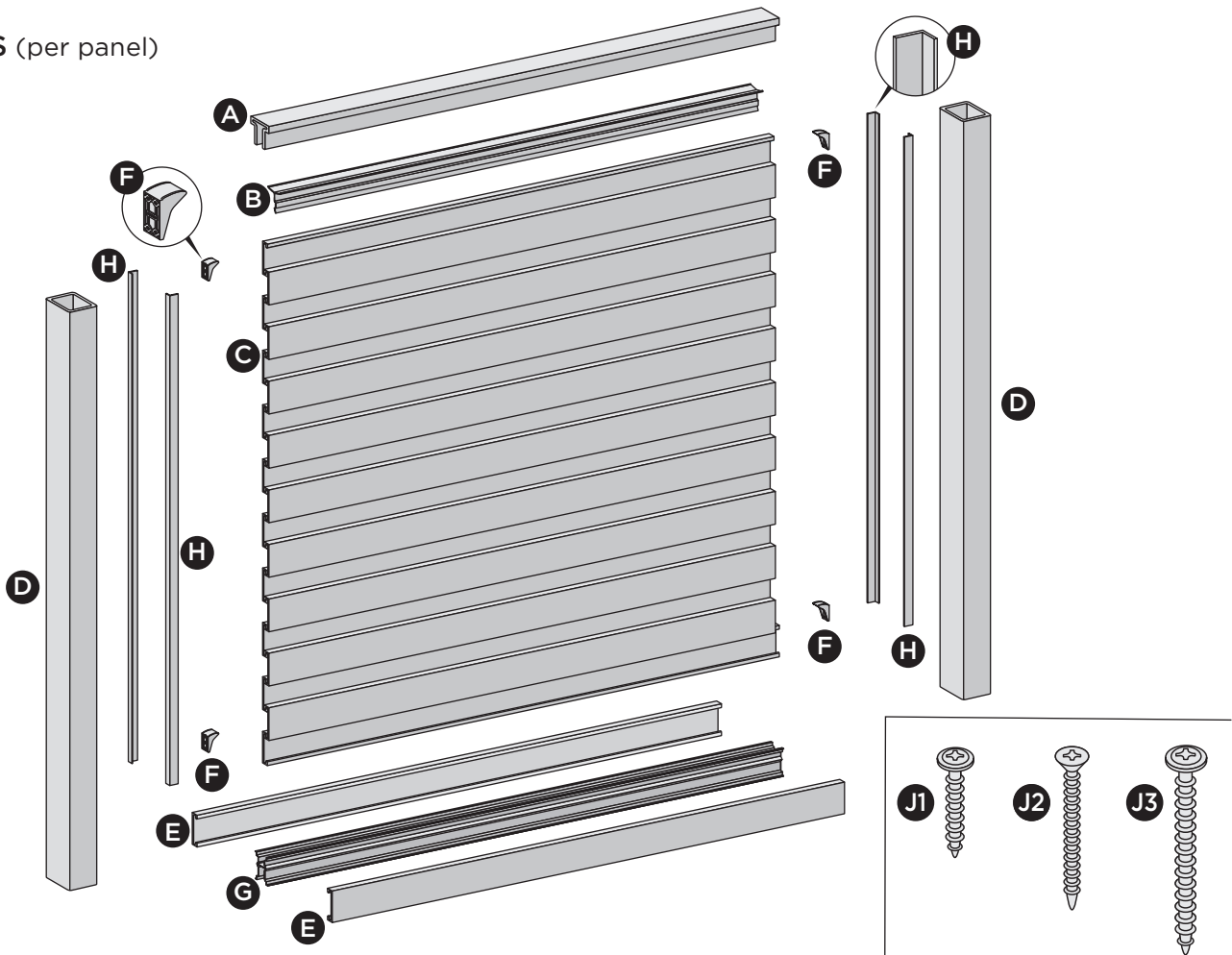


**NOTES:**

- » *Trex Horizontal Fencing is designed to be installed with posts at 8' ON CENTER.*
- » *Please refer to local building code requirements prior to digging holes to ensure local guidelines are followed. Below instructions are guidelines for general requirements.*
- » *ALL INSTRUCTIONS WITHIN THIS DOCUMENT ARE FOR A POST EMBEDMENT OF 30". IF THIS VARIES WITHIN YOUR LOCAL JURISDICTION, YOU WILL NEED TO ADJUST BRACKET LOCATIONS ACCORDINGLY.*
- » *A minimum of two people is recommended for installation of Trex Horizontal Fencing.*

**PARTS (per panel)**



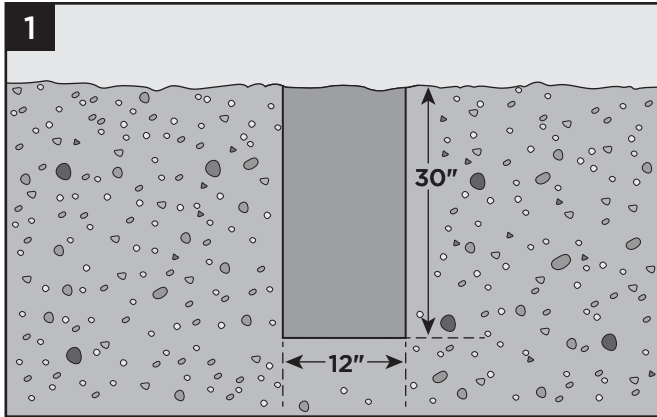
ITEM	DESCRIPTION	QUANTITY
A	Top Rail	1
B	Aluminum Top Rail Insert	1
C	Picket	6' height = 14 8' height = 19
D	5" x 5" Post 9' length for 6' height 12' length for 8' height	2
E	Bottom Rail Cover	2

ITEM	DESCRIPTION	QUANTITY
F	Rail Bracket	4
G	Aluminum Bottom Rail	1
H	L-Channel	4
J1	#8 x 1" Pan Head Screw	6' height = 18 8' height = 22
J2	#8 x 1-5/8" Flat Head Screw	18
J3	#10 x 2" Self-Drilling Pan Head Screw	2

# TREX® HORIZONTAL FENCING

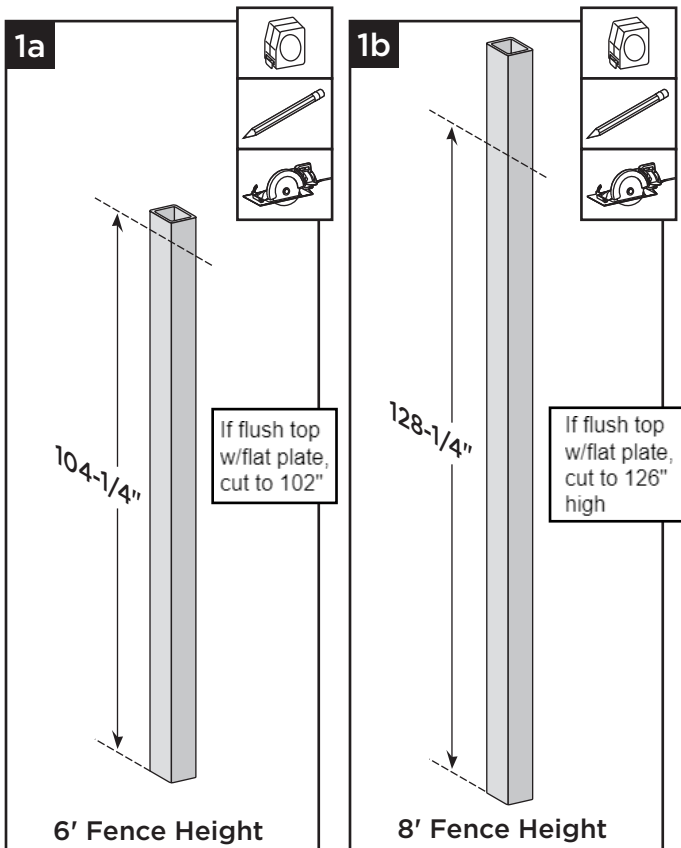
## Installation Instructions

### Digging Holes

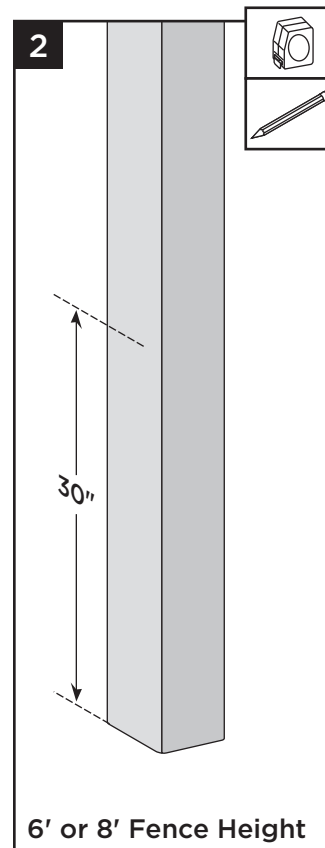


1. Dig holes for posts 12" in diameter and 30" deep **MINIMUM** (or as required per local codes or conditions). Holes should be dug to allow for equal amount of concrete on all sides of the posts.

### Cutting Posts



### Measuring For Post Embedment



- 1a. For 6' fence height, cut 9' posts to 104-1/4" long.
- 1b. For 8' fence height, cut 12' posts to 128-1/4" long.

2. Measure 30" from the bottom of each post, and mark a line for the post embedment.

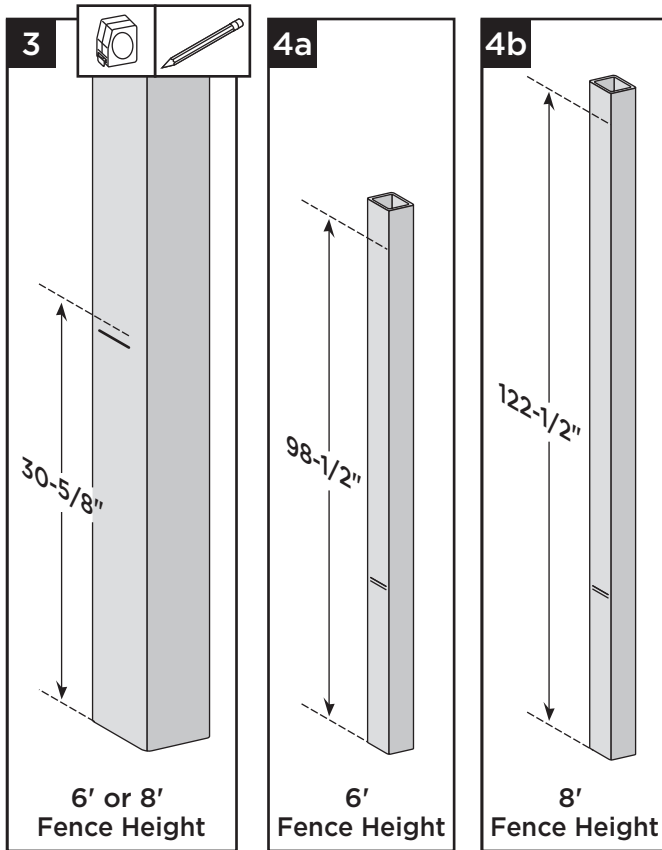
2

Have Questions?  
877-700-8739

*NOTE: Construction methods are always improving. Please ensure you have the most up-to-date installation instructions by visiting: [trex.com](http://trex.com)*  
For additional details, visit: [TrexFencingFDS.com](http://TrexFencingFDS.com).

THF-0620  
FDS-081321

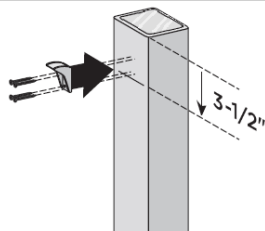
## Measuring Posts for Brackets



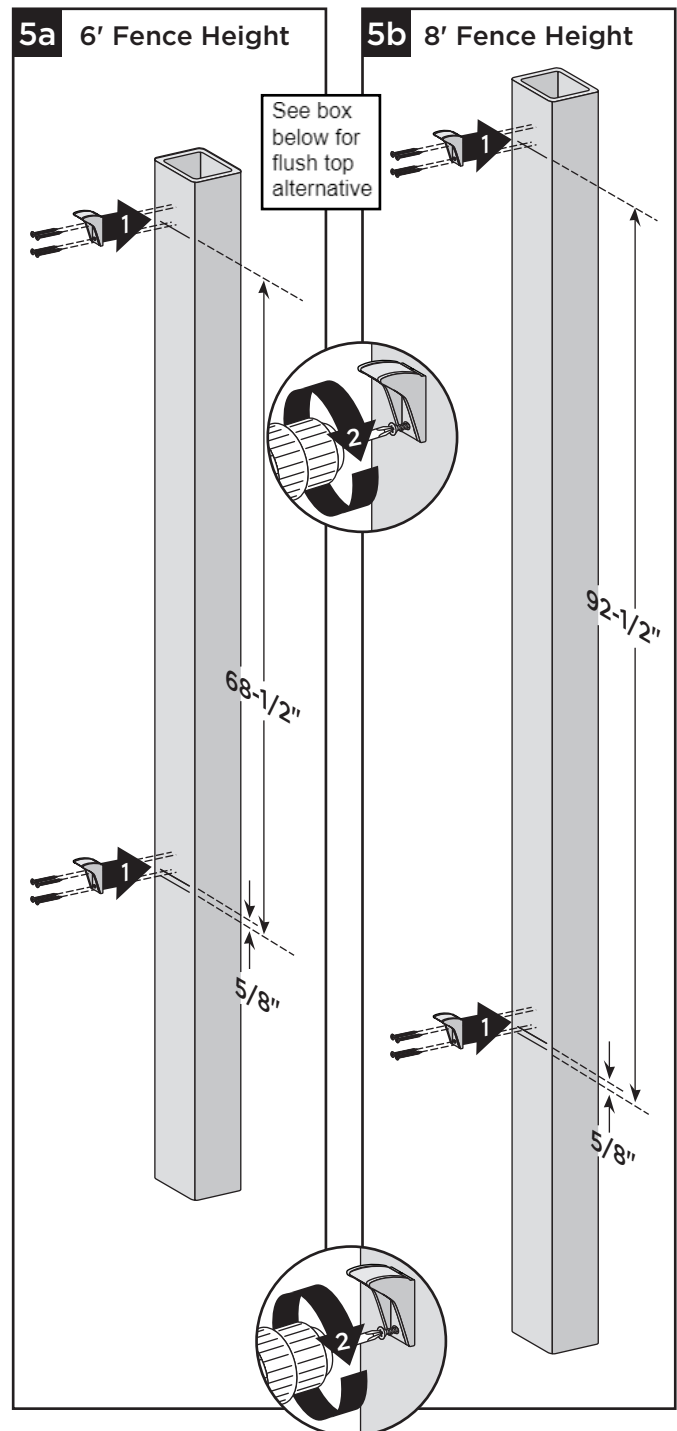
- 3.** Measure 30-5/8" from the bottom of each post (or 5/8" from the embedment line), and mark a line for the **BOTTOM** of the bottom bracket.
- 4a.** For 6' fence height, measure 98-1/2" from the bottom of each post (or 68-1/2" from the embedment line), and mark a line for the **BOTTOM** of the top bracket.
- 4b.** For 8' fence height, measure 122-1/2" from the bottom of each post (or 92-1/2" from the embedment line), and mark a line for the **BOTTOM** of the top bracket.

### Flush Top Alternative:

If installing with flush top (i.e., post top does not extend above the top of the fence panel and cap plate is placed on top instead of Trex post caps), measure down 3-1/2" from the top of the post of the bottom of the bracket.



## Installing Brackets

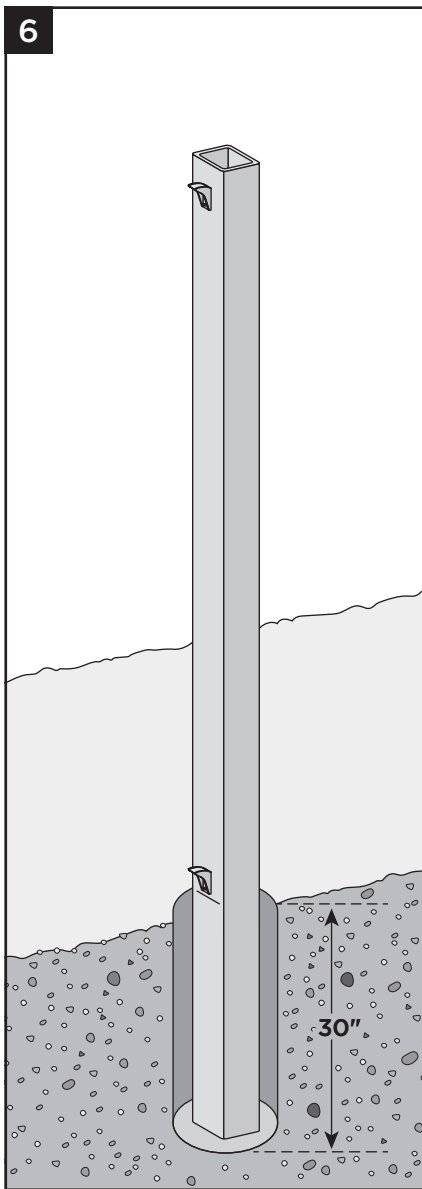


- 5a/5b.** Install the top and bottom brackets on the posts using (4) #8 x 1-5/8" flat head screws per bracket.

# TREX® HORIZONTAL FENCING

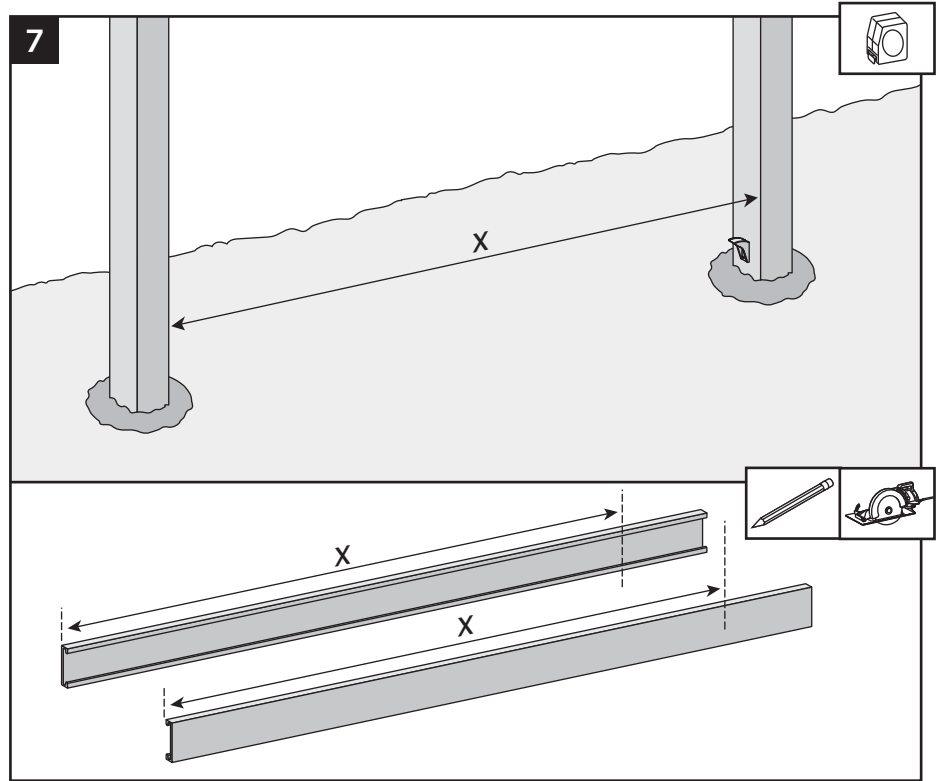
## Installation Instructions

### Setting Posts

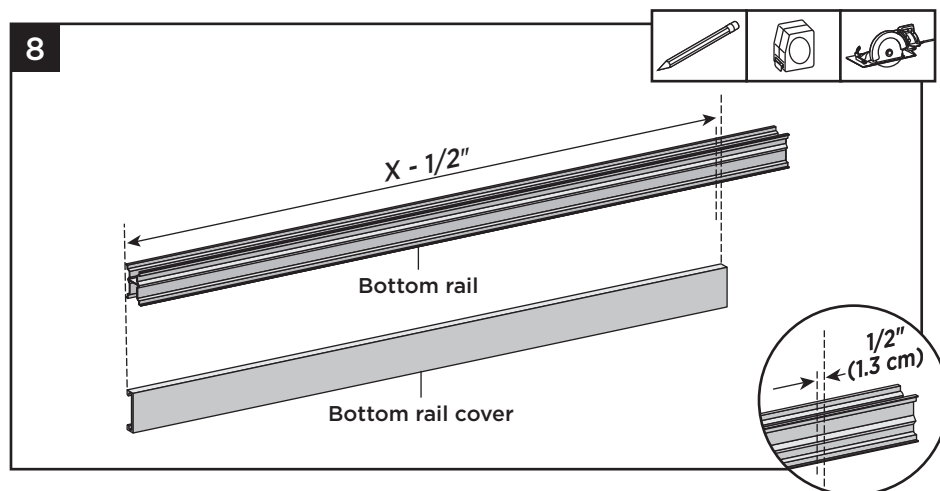


6. Set the posts at the desired spacing with an embedment of 30". Ensure posts are plumb and level. Fill holes with code approved concrete and allow this to fully set before attaching fence components.

### Measuring, Cutting, and Installing Bottom Rail

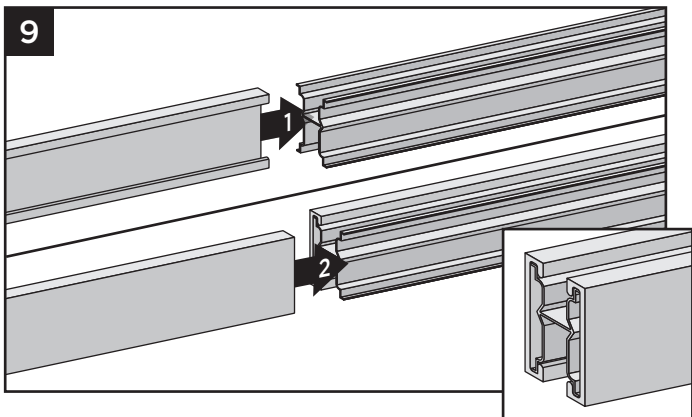


7. Measure the distance between the posts, and cut the bottom rail covers to length.

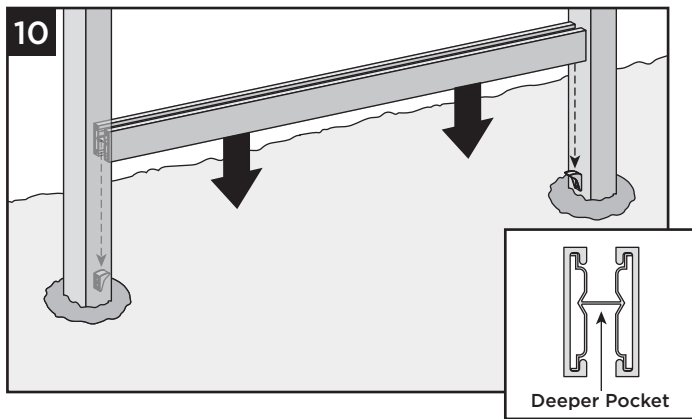


8. Cut the aluminum bottom rail 1/2" shorter than the bottom rail covers.

**NOTE:** The bottom rail should not have to be cut if posts are spaced at 8' OC.

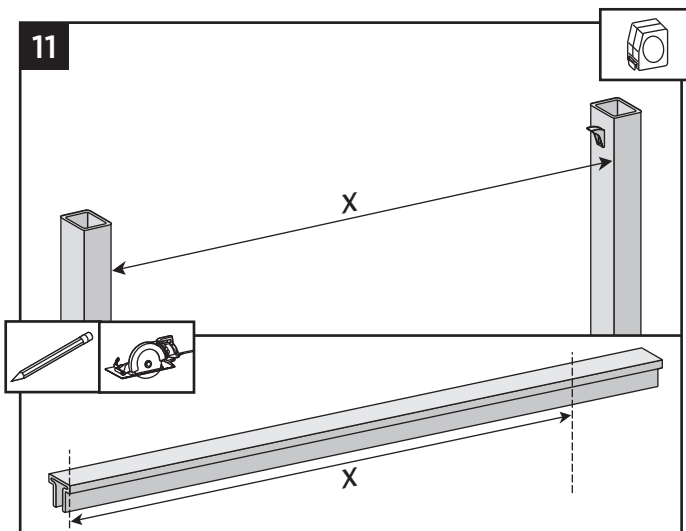


9. Slide the bottom rail covers onto the bottom rail.

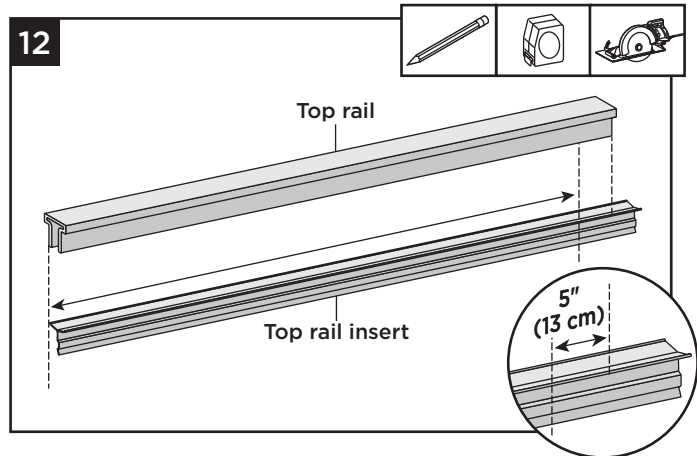


10. Set the assembled rail onto the bottom brackets with the **deeper pocket** of the rail facing down.

### Measuring, Cutting, and Installing Top Rail

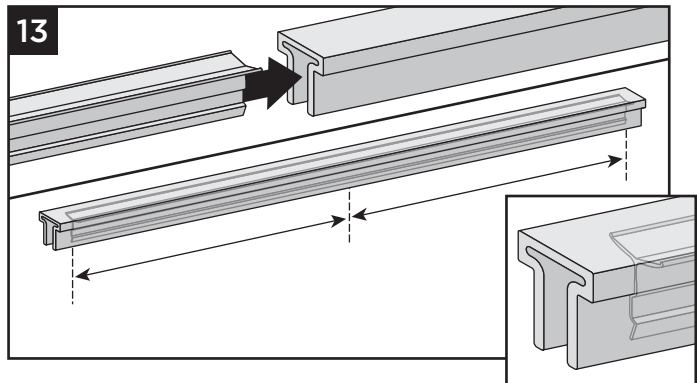


11. Measure the distance between the posts, and cut the top rail to length.



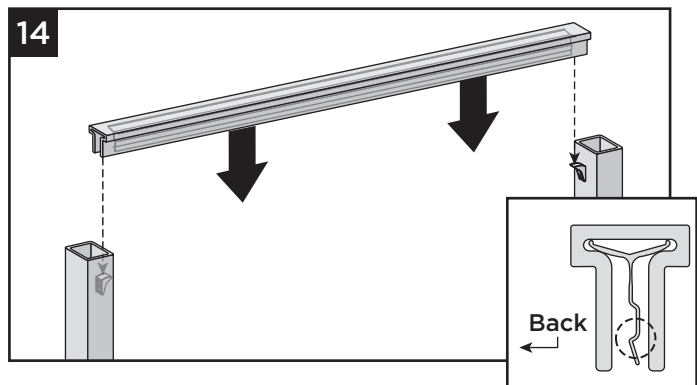
12. Cut the aluminum top rail insert 5" shorter than the top rail.

*NOTE: The aluminum insert should not have to be cut if posts are spaced at 8' OC.*



13. Slide the aluminum insert into the top rail, centering the insert along the length of the rail.

*NOTE: Use rubber mallet to gently tap aluminum insert into top rail.*

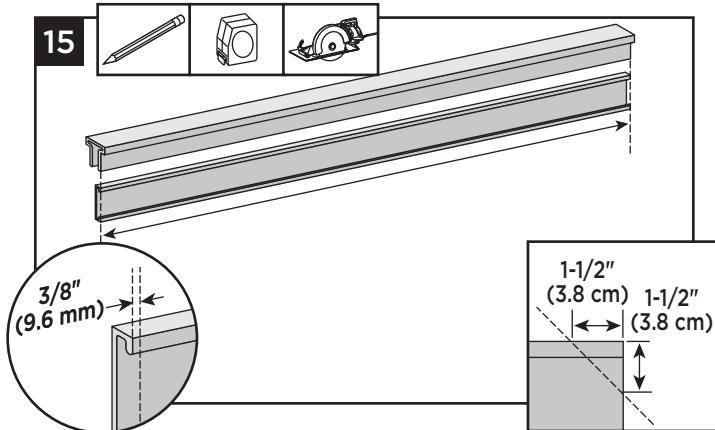


14. Set the top rail onto the top brackets such that the hook feature on the aluminum insert is pointing toward the **BACK** of the fence assembly.

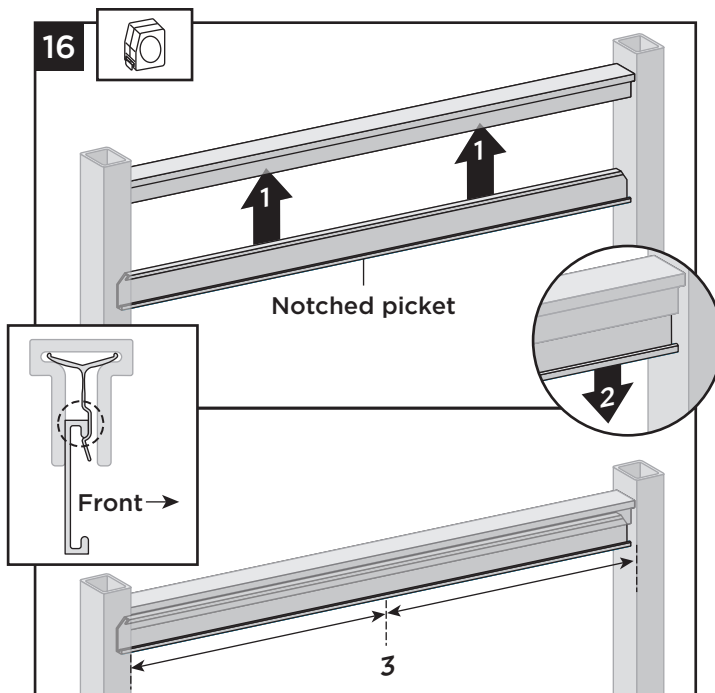
# TREX® HORIZONTAL FENCING

## Installation Instructions

### Measuring, Cutting, and Installing Pickets

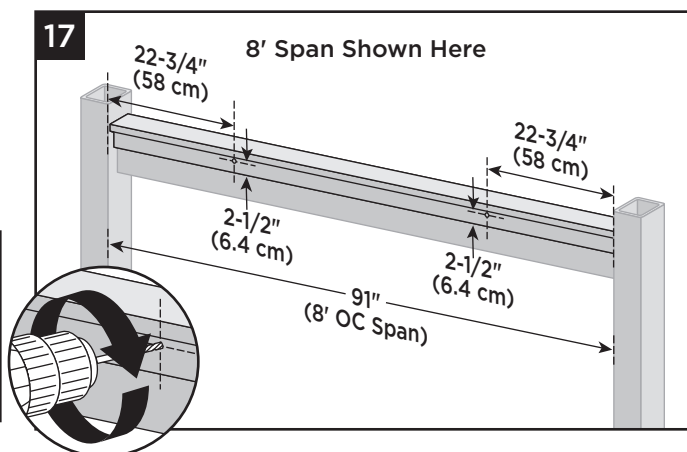


**15.** Cut the first picket  $\frac{3}{8}$ " shorter than the top rail. In addition, notch both ends of the first picket at  $1\frac{1}{2}$ " x  $1\frac{1}{2}$ " x  $45^\circ$ .

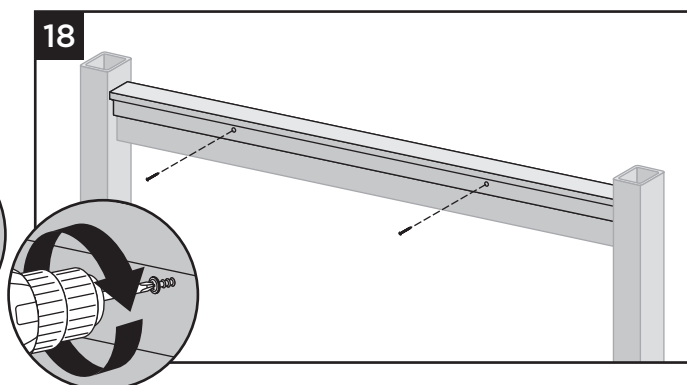


**16.** Install the first picket (with the notched side up) into the top rail with the open side of the picket facing the **FRONT** of the fence assembly. Push the picket up (tapping gently with a rubber mallet if needed) so it fully engages with the snap feature on the aluminum insert. Once fully engaged, pull down on the picket so it seats properly in the top rail. **Ensure the picket is centered between the posts.**

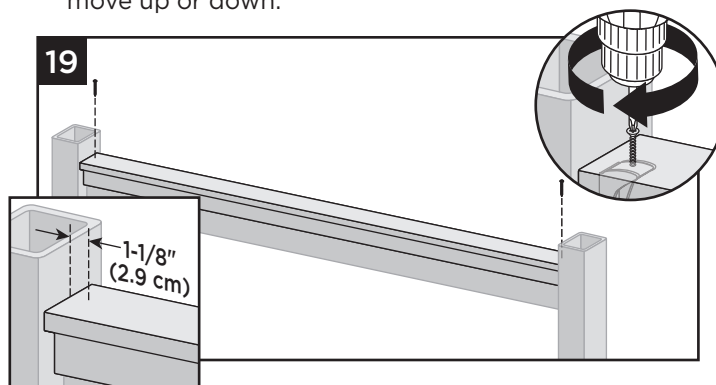
**TIP:** Using two people here is helpful as the top rail will need to be held in place while the first picket is installed into the top rail.



**17.** On the **BACK** of the fence assembly, predrill thru the aluminum insert using a  $\frac{1}{8}$ " drill bit at the quarter points of the top rail approximately  $2\frac{1}{2}$ " from the bottom edge of the rail. Adjust quarterpoint measurements accordingly for smaller post spans.



**18.** Install (1) #10 x 2" self-drilling pan head screw into each predrilled hole. Tighten the screws until the picket is clamped in the top rail such that it cannot move up or down.



**19.** Measure approximately  $1\frac{1}{8}$ " out from each post and attach the top rail to the top brackets using (1) #8 x  $1\frac{5}{8}$ " flat head screw per bracket.

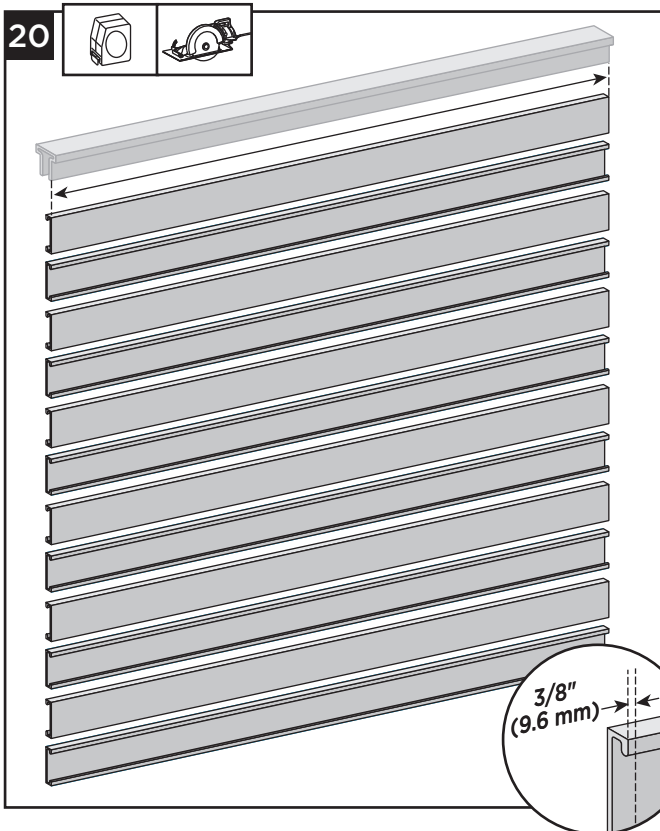
6

Have Questions?

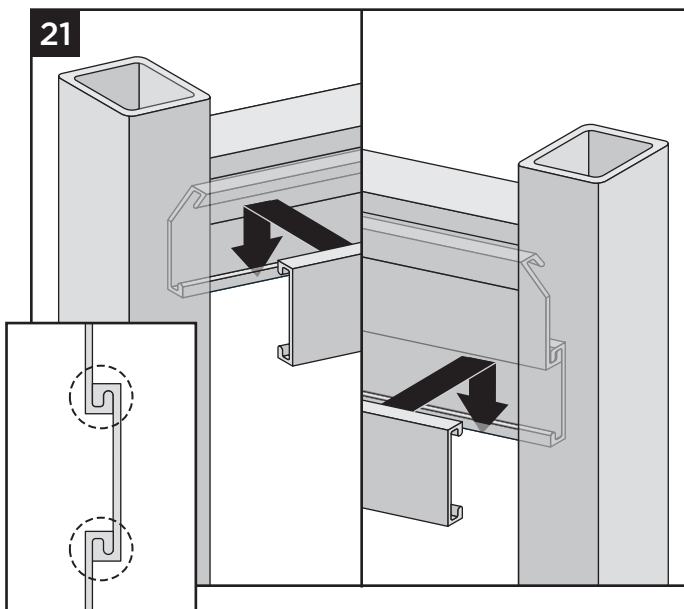
877-700-8739

*NOTE: Construction methods are always improving. Please ensure you have the most up-to-date installation instructions by visiting: [trex.com](http://trex.com)*  
For additional details, visit: [TrexFencingFDS.com](http://TrexFencingFDS.com).

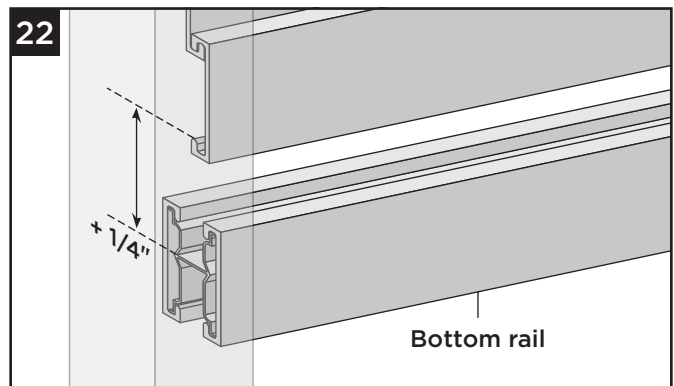
THF-0620  
FDS-081321



20. Cut the remaining pickets  $3/8$ " shorter than the top rail.

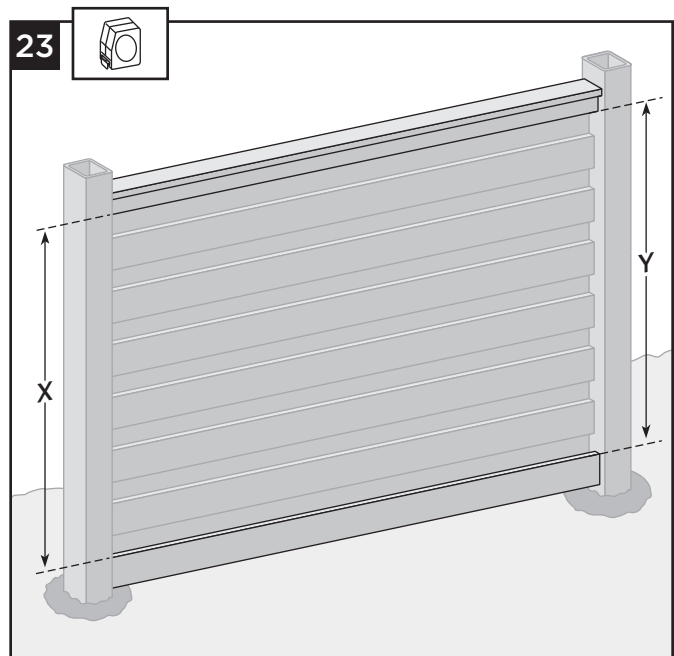


21. Install the remaining pickets by hanging each picket from the above picket. **Ensure the pickets are centered between the posts as they are hung.**



22. It may be necessary to rip-cut the last picket so it seats properly in the bottom rail. To determine the width of the ripped picket, measure from the bottom of the H-channel in the bottom rail to the top of the hook feature on the last picket, and add  $1/4$ ".

### Measuring, Cutting, and Installing L-Channels on FRONT Side

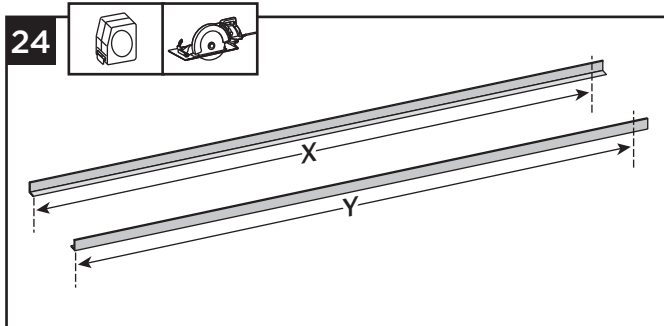


23. Measure the distance between the top and bottom rails on the **FRONT** side of the fence assembly.

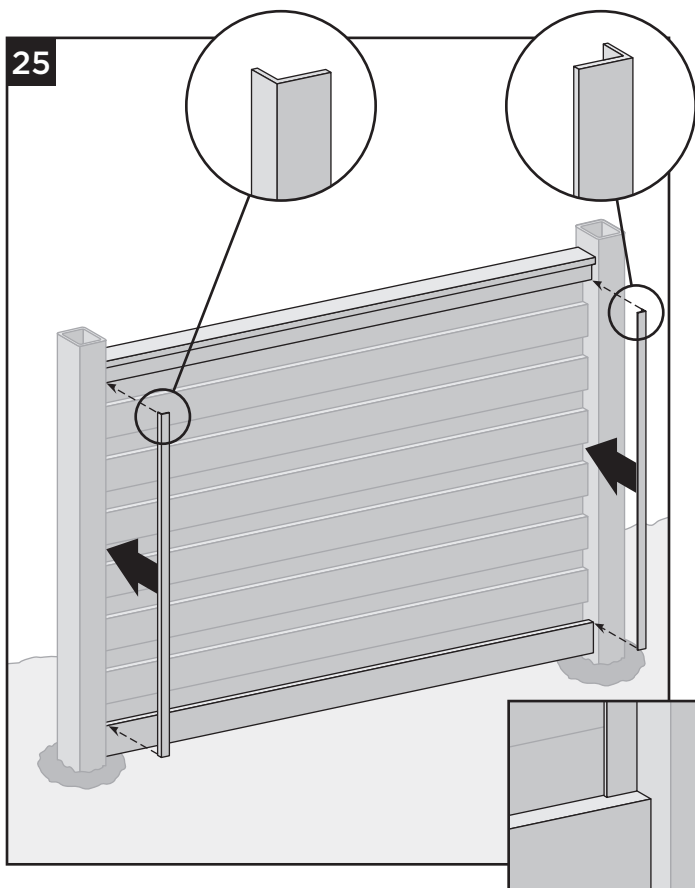
**TIP:** Due to possible variances, measure the distance between the top and bottom rails at each end (**LEFT/RIGHT**) of the fence assembly.

# TREX® HORIZONTAL FENCING

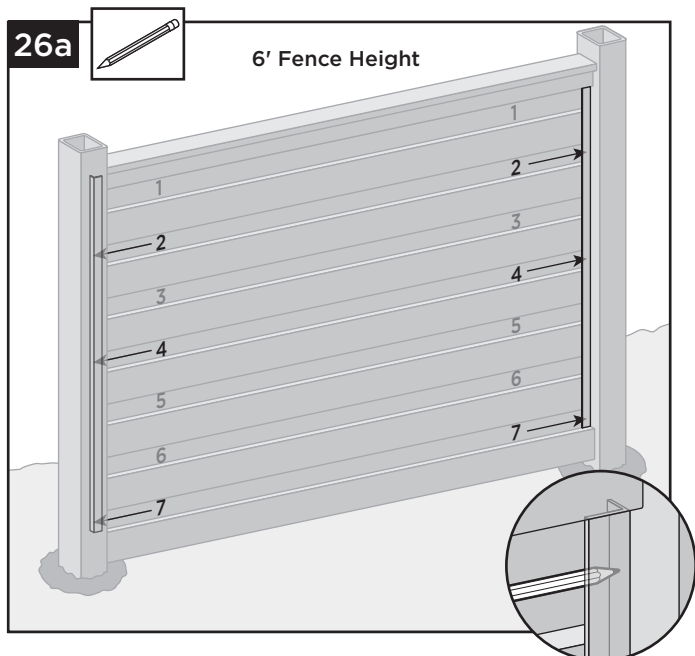
## Installation Instructions



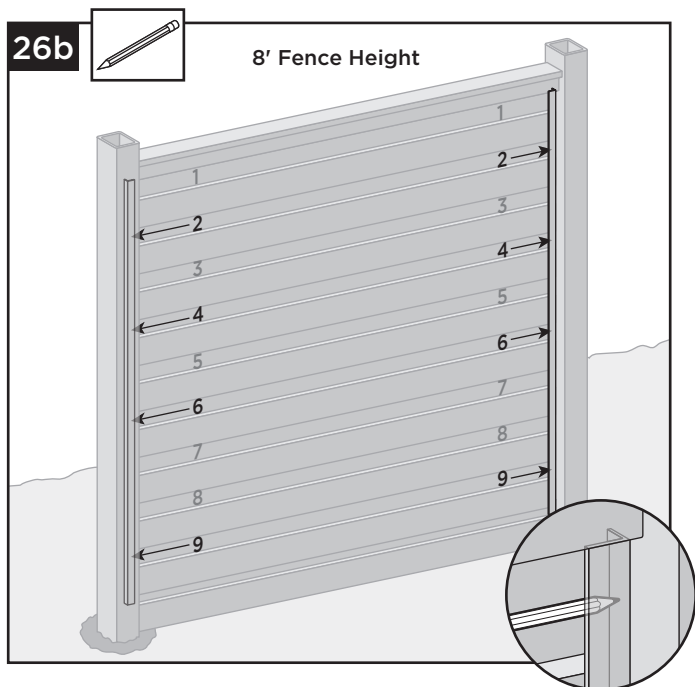
**24.** Cut (2) aluminum L-channels individually to the lengths measured in the previous step.



**25.** Position each L-channel against the post with the short leg against the post and the long leg extending over the pickets. Insert the short leg between the post and the ends of the pickets so the long leg is flush against the pickets and aligned with the inside edge of the top and bottom rails.

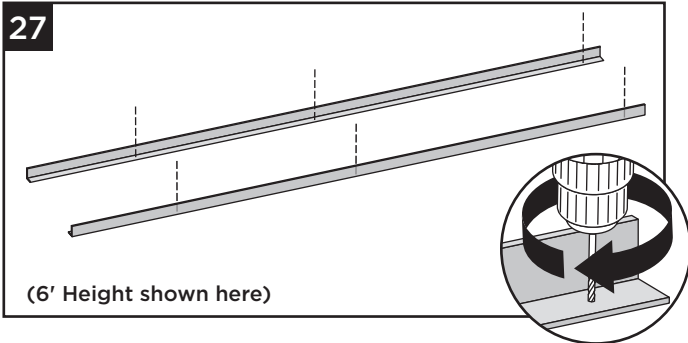


**26a.** Marking L-channels for attachment to posts on FRONT side for 6' fence height: Mark (3) locations on each L-channel, starting from the top, mark the 2nd, 4th and 7th openings in the infill where the L-channel's short leg is visible.



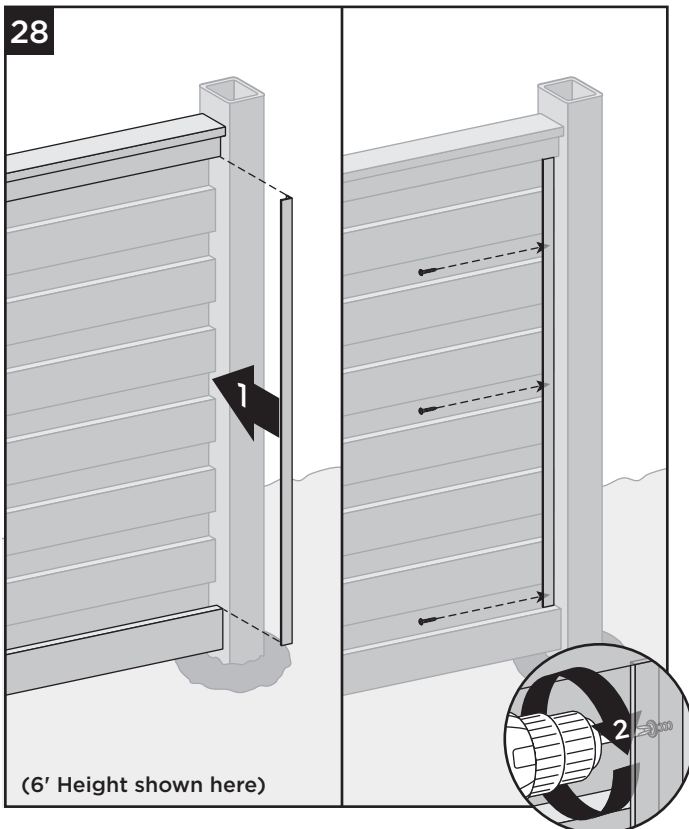
**26b.** Marking L-channels for attachment to posts on FRONT side for 8' fence height: Mark (4) locations on each L-channel, starting from the top, in the 2nd, 4th, 6th and 9th openings in the infill where the L-channel's short leg is visible.





27. Remove each L-channel, and predrill holes at the locations marked in step 26 using a 1/8" drill bit. **DO NOT** predrill the posts.

### Attaching L-Channels to Posts on FRONT side

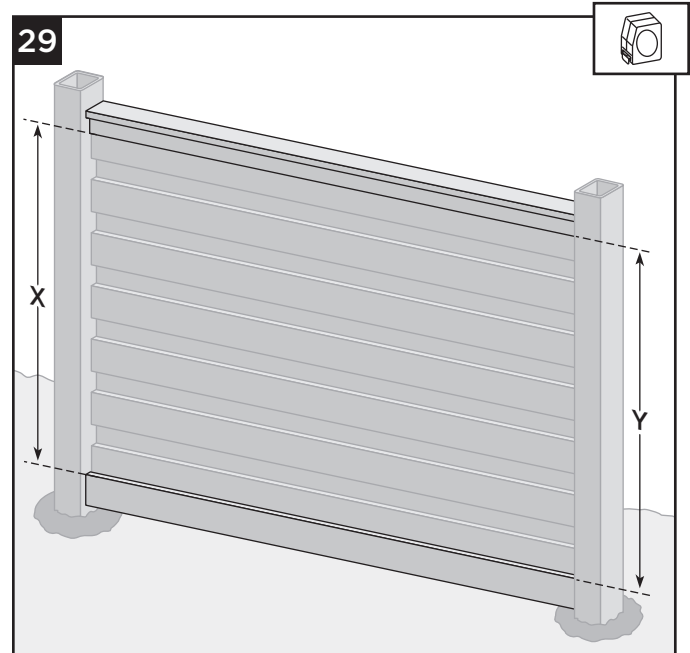


28. Replace each L-channel in same location as in steps 25/26, and attach to the post using (1) #8 x 1" pan head screw at each predrilled location.

#### TIPS:

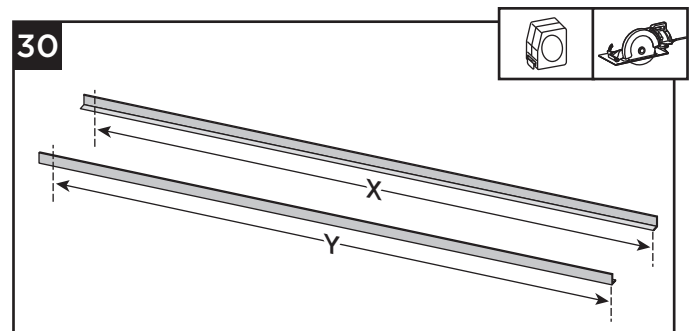
- » Install the top and bottom screws into the post before installing the middle screw(s) to help align the L-channel with the inside edge of the rails.
- » Use bit extension to allow access to install screws.

### Measuring, Cutting, and Installing L-Channels on BACK Side



29. Measure the distance between the top and bottom rails on the **BACK** side of the fence assembly.

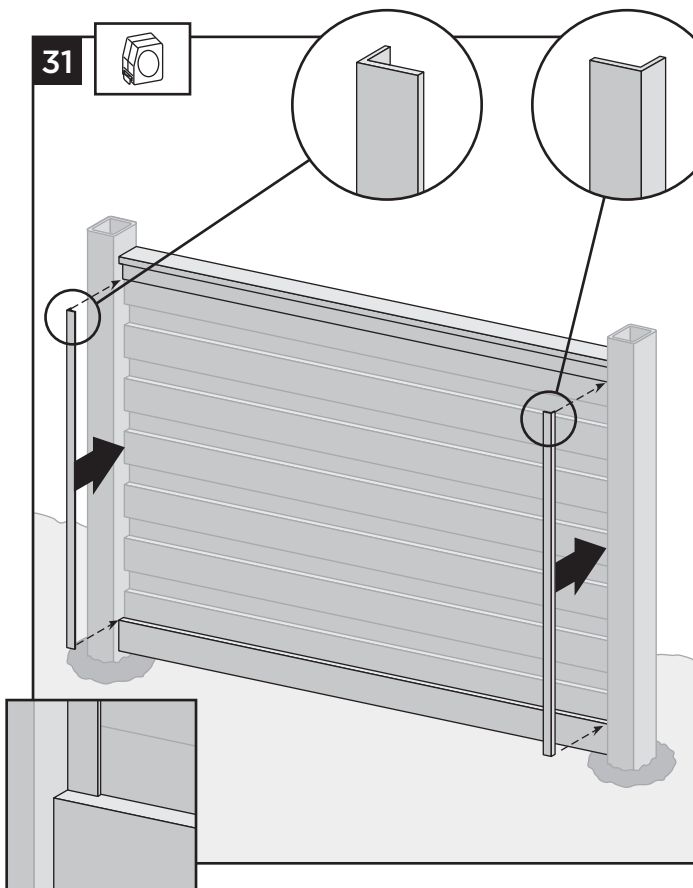
**TIP:** Due to possible variances, measure the distance between the top and bottom rails at each end (**LEFT/RIGHT**) of the fence assembly.



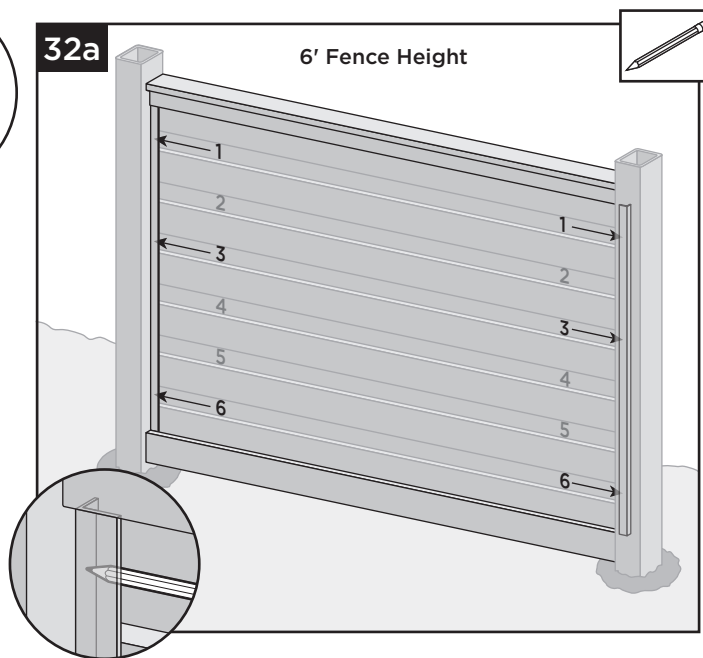
30. Cut the remaining (2) aluminum L-channels individually to the lengths measured in the previous step.

# TREX® HORIZONTAL FENCING

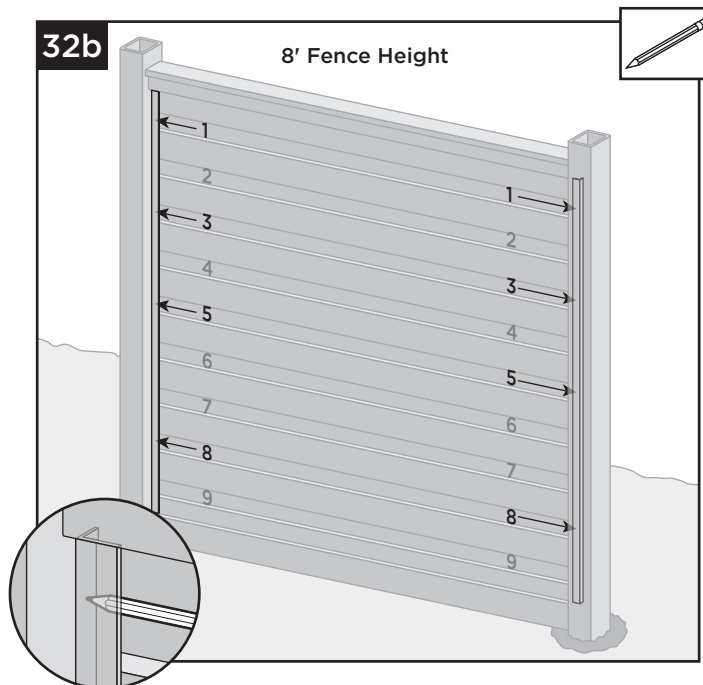
## Installation Instructions



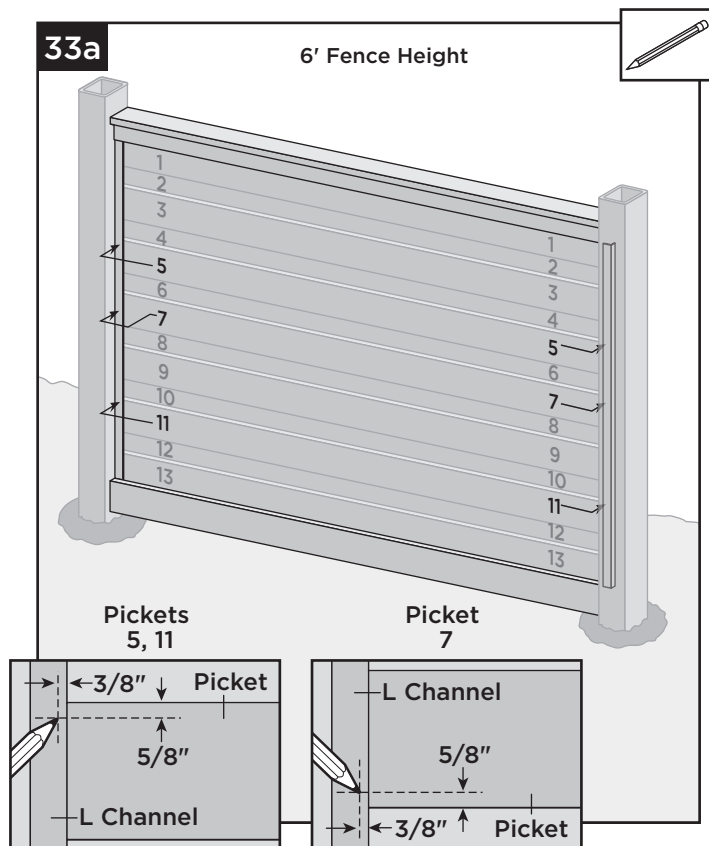
**31.** Position each L-channel against the post and over the pickets as done in step 25.



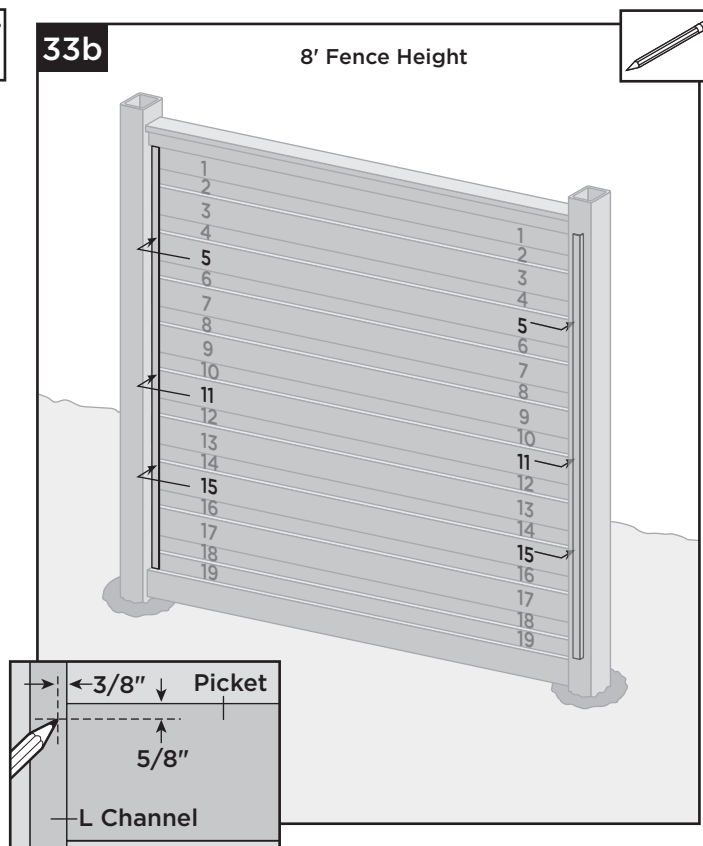
**32a.** Marking L-channels for attachment to posts on **BACK** side for 6' fence height: Mark (3) locations on each L-channel, starting from the top, mark the 1st, 3rd and 6th openings in the infill where the L-channel's short leg is visible.



**32b.** Marking L-channels for attachment to posts on **BACK** side for 8' fence height: Mark (4) locations on each L-channel, starting from the top, mark the 1st, 3rd, 5th and 8th openings in the infill where the L-channel's short leg is visible.



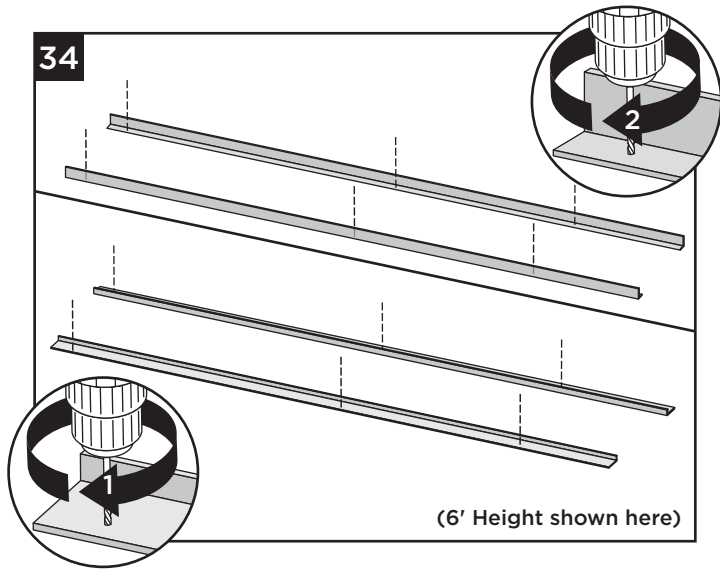
**33a. Marking L-channels for attachment to pickets on BACK side for 6' fence height:** Mark (3) locations on each L-channel. Starting from the top, mark near the top edge of the 5th picket, bottom edge of the 7th picket and top edge of the 11th picket. Mark each L-channel approximately  $\frac{3}{8}$ " from the outside edge of the L-channel and approximately  $\frac{5}{8}$ " from the edge of the picket where the pickets interlock. When counting pickets, count pickets on both sides of the fence assembly; the 1st picket is the picket installed in the top rail.



**33b. Marking L-channels for attachment to pickets on BACK side for 8' fence height:** Mark (3) locations on each L-channel. Starting from the top, mark near the top edge of the 5th picket, top edge of the 11th picket and top edge of the 15th picket. Mark each L-channel approximately  $\frac{3}{8}$ " from the outside edge of the L-channel and approximately  $\frac{5}{8}$ " from the edge of the picket where the pickets interlock. When counting pickets, count pickets on both sides of the fence assembly; the 1st picket is the picket installed in the top rail.

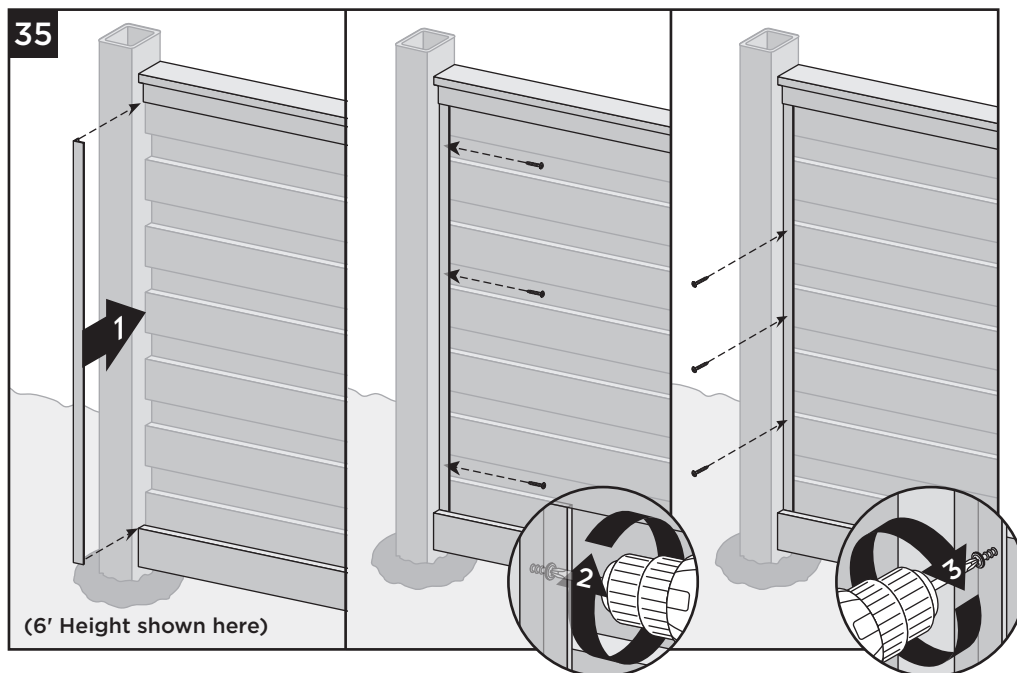
# TREX® HORIZONTAL FENCING

## Installation Instructions



34. Remove each L-channel, and predrill holes at the locations marked in steps 32 and 33 using a 1/8" drill bit. **DO NOT** predrill posts or pickets.

### Attaching L-Channel to Posts and Pickets on BACK Side



35. Replace each L-channel in same location as in steps 31/32, and attach to the post and pickets using (1) #8 x 1" pan head screw at each predrilled location.

**TIP:** Install the top and bottom screws into the post before installing the middle screw(s) to help align the L-channel with the inside edge of the rails.