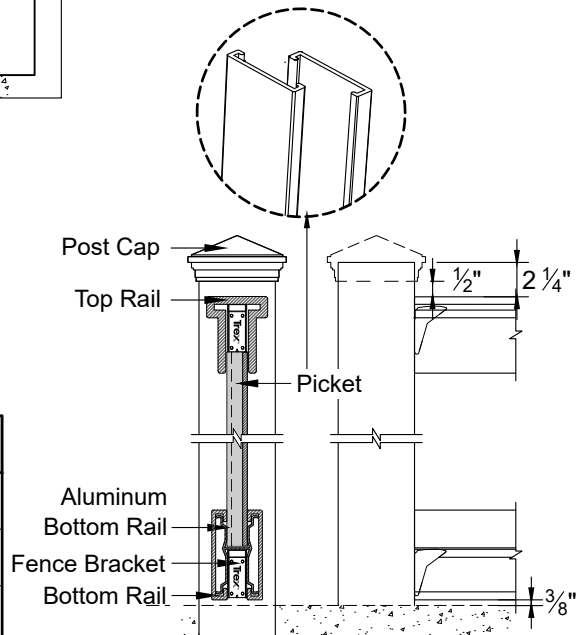


NOTES:

1. INSTALLATION TO BE COMPLETED PER MANUFACTURER'S SPECIFICATIONS.
2. REFER TO TrexFencingFDS.com FOR CONSTRUCTION DETAILS AND PRODUCT INFORMATION.
3. DRAWING NOT TO SCALE.

COMPONENT	QTY.	LENGTH	COMPONENT	QTY.	LENGTH
Post Cap 	1	N/A	Bottom Rail / Picket 	2	91"
Post 	1	144"	Aluminum Bottom Rail 	1	90 1/2"
Top Rail 	1	91"	Fence Bracket 	4	N/A
Bottom Rail / Picket 	19	91"	Ext. Wood Screw 	24	1 5/8"

Component lengths may vary



CUT VIEWS

112823